



# BETOPPER LPC007-H LED Par Stage Light Dmx Light User Manual

[Home](#) » [BETOPPER](#) » [BETOPPER LPC007-H LED Par Stage Light Dmx Light User Manual](#) 

## Contents

- [1 BETOPPER LPC007-H LED Par Stage Light Dmx Light](#)
- [2 INTRODUCTION](#)
- [3 SAFETY INSTRUCTIONS](#)
- [4 CONDITIONS OF USE](#)
- [5 PRESENTATION AND FEATURES](#)
- [6 Technical Parameters](#)
- [7 Documents / Resources](#)
  - [7.1 References](#)
- [8 Related Posts](#)

**BETOPPER**

## BETOPPER LPC007-H LED Par Stage Light Dmx Light



### INTRODUCTION

#### WARNING

- This product is not suitable for household use.
- You now own a professional lighting unit that offers endless possibilities. Before installing, make sure that no damage was done to your luminaire during transport.
- If this is the case, do not use the product and immediately contact your dealer
- For your own safety and that of others, please read this instruction manual carefully before installing the unit.
- Anyone involved in installing, operating or servicing the LPC007 must:
- Be a qualified, authorized professional Strictly follow the instructions in this user manual.

#### Three color PAR Light DMX Channel Function Sheet

Please take the time to read this manual carefully and thoroughly before installing and operating the luminaire. You should have a good knowledge of its operating conditions and all pertinent product information. After you have become familiar with this manual, we recommend that you keep a copy for future use. All the information found in this manual is subject to change without notice. BETOPPER reserves the right to modify and upgrade its range of products, with no obligation to integrate these changes into products already sold.

## **SAFETY INSTRUCTIONS**

Please read the safety instructions and warnings in this manual carefully before installing and operating the LPC007

### **WARNING**

Risk of electric shock. Use caution when handling. This luminaire requires high voltage, which can result in electric shock. Installation and connection to an electrical source must be performed by an authorized installer. BETOPPER declines all responsibility should this luminaire be installed by an unqualified person. Do not connect or disconnect the power cable of your LPC007 with wet hands. Do not connect or disconnect the power cable at your LPC007 if the cable is energized! This could cause arcing and damage your LPC007, requiring repair. Be careful to power off your LPC007 by removing the power plug from the source, before connecting or disconnecting the luminaire. The fixture quickly becomes very hot during operation. To avoid risk of burn, never handle or adjust the luminaire while it is energized and after it has been lit for more than 10 consecutive minutes. Some parts of the luminaire can reach a high temperature, particularly the body/radiator. Turn off the luminaire and wait for it to cool before handling.

### **CONDITIONS OF USE**

Your LPC007 is a par can light luminaire equipped with LED source intended for professional use (e.g., architectural, stage, television, theater, or museum lighting). It is intended strictly for indoor use. It must never be partially or fully submerged, even temporarily

### **PRESENTATION AND FEATURES**

- LPC007 is a non-waterproof par can light
- Using the latest generation of high-performance of LED-type lamps. This luminaire can be controlled remotely by an external DMX512 signal.
- The LPC007 incorporates high power white LED source.
- The luminaire requires from 3 or 7 DMX channels to be controlled via an external command system that sends a DMX512 signal (see below for details).
- To adjust the settings on the LPC007 (i.e., DMX address, DMX operating mode and other options), a Remote Device Management (RDM)-type DMX controller may be required.
- The DMX RDM protocol is a universal, widely used standard.

### **ERROR MESSAGES**

1. No power . Check whether the power input line connection is loose
2. DMX console is not under control
3. Check whether the signal line connection is loose, or replace the signal line connection
4. Check whether the working mode of the lamp is in DMX mode, and check whether the set address code and channel mode are correct
5. Check whether the lamp library and address code used by the console correspond correctly to the channel mode and address code of the lamp
6. The display does not light up After the fan is powered on, the button is operated when the fan is rotating.
7. The display does not light up, and the control board may be damaged. Pls contact BETOPPER for support.
8. The sound-model effect is not obvious. In the voice control mode, the sensitivity can be adjusted.
9. Abnormal noise Check whether the internal fan rubs against the internal wire of the lamp, and whether the

internal wire plug falls off

10. Does not light up
11. Check whether the DMX signal line is loose or has poor contact; disassemble the rear cover to
12. check whether the lamp beadboard connection line plug is off;
13. The lights in some areas are not on; the lamp beadboard is damaged or the control board is damaged;

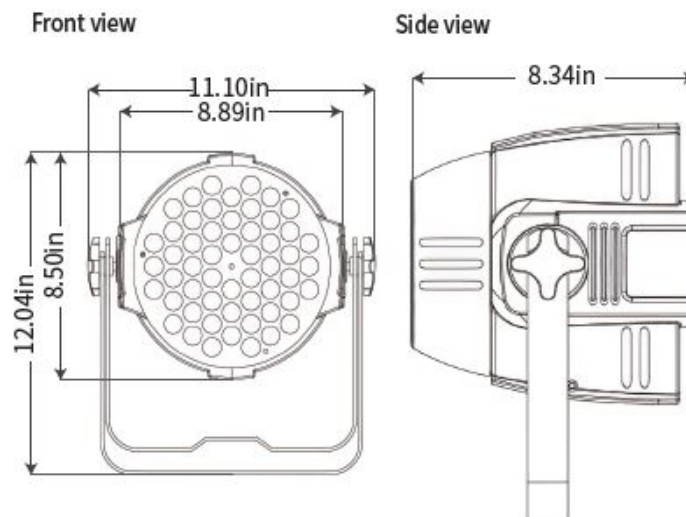
### Product properties

Application Wedding Party, Performance, multi-purpose hall, stage, exhibition, bars etc.

### Product promotion

RED, green and blue three-in-one full-color par light Support colorful jumps, colorful pulse changes, colorful gradients and strobes, 54 3W lamp beads are full of color,the brightness of the beads is more dazzling support voice control, Self-propelled,multi-channel mode operation,flexible mode.

### DIMENSIONS



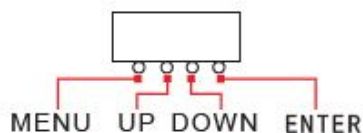
### DESCRIPTION



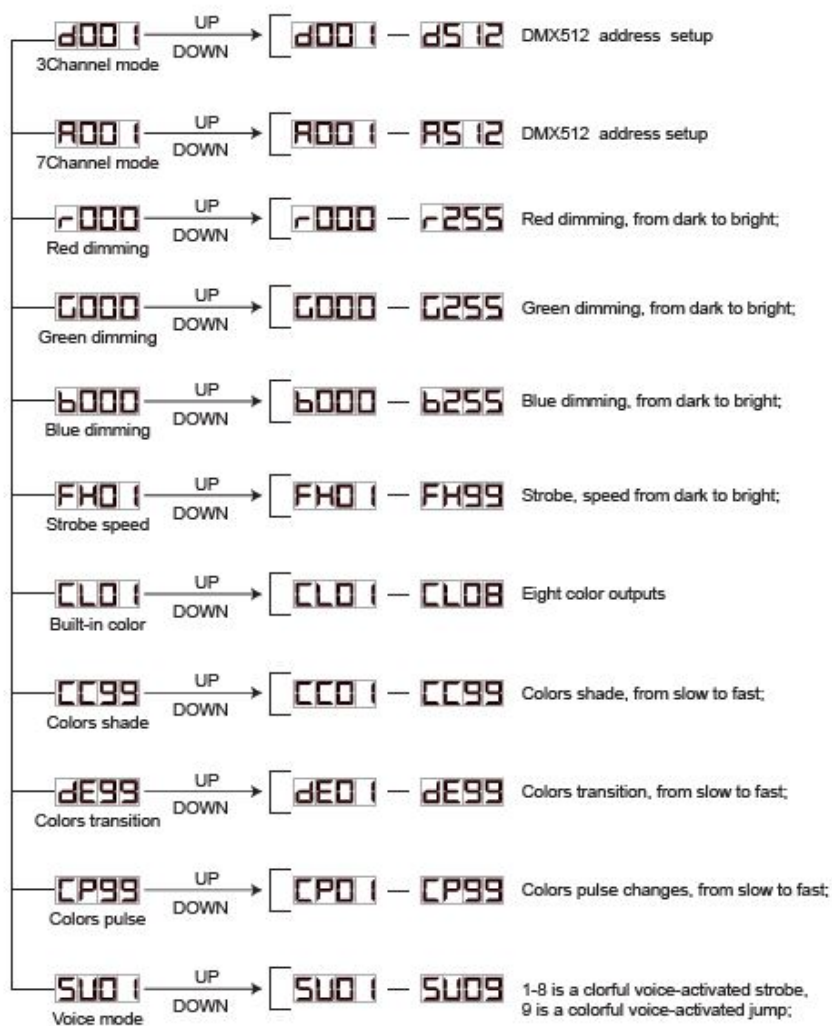
### Technical Parameters

Model	LPC000/LPC007-H
Light source	54 * 3W(3-In-1)
Rating power	180W
Max Slave Qty	100V AC/8 220V AC/16
N. W.	1.51KG/1.86KG
Play mode	Auto / Sound / DMX / Master-slave
Channel	3 / 7
Power supply	AC 100 ~ 240V / 50Hz – 60 Hz
Source lifetime	50000 H
Dimensions	235 * 235 * 295MM
Standard Configuration	Power cable / Instruction manual

## MENU FUNCTIONS AND OPTIONS



Menu: Function Key  
 UP: Add  
 Down: Minus  
 ENTER: confirmed




7 channel mode	Numerical Value	Function and Description
CH 1	000-255	General dimming 0%-100%
CH 2	000-255	Red dimming 0%-100%
CH 3	000-255	Green dimming 0%-100%
CH 4	000-255	Blue dimming 0%-100%
CH 5	000-255	Strobe speed,From slow – fast
CH 6	000-255	0-50: DMX dimming; 51-100: color output(8 type); 101-150:shade;151-200:transform;201-250:pulse transform; 251-255:sound-activated[the channel should use with CH6 and CH7]
CH 7	000-030	Sound-activated Red
	031-060	Sound-activated Green
	061-092	Sound-activated Blue
	093-123	Sound-activated White
	124-154	Sound-activated Yellow
	155-185	Sound-activated Violet
	186-216	Sound-activated Change
	217-247	Sound-activated White
	248-255	Sound-activated Change color

3 channel mode	Numerical Value	Function and Description
CH 1	000-255	Red dimming 0%-100%
CH 2	000-255	Green dimming 0%-100%
CH 3	000-255	Blue dimming 0%-100%

[WWW.BETOPPERDJ.COM](http://WWW.BETOPPERDJ.COM) Produced by BIGDIPPER  
 SHOPIFY@[BETOPPERDJ.COM](http://BETOPPERDJ.COM)

**Documents / Resources**

 A circular LED PAR stage light with a black body and a clear lens containing many small LEDs. The brand name 'BETOPPER' and 'LED PAR' are visible at the top. Below the light, there is a small text block: 'LED Par Stage Light Dmx Light', 'Model: LPC007-H', and 'LPC007-H'.	<p><b><a href="#">BETOPPER LPC007-H LED Par Stage Light Dmx Light</a></b> [pdf] User Manual LPC007, LPC007-H, LPC007-H LED Par Stage Light Dmx Light, LPC007-H, LED Par Stage Light Dmx Light</p>
--	---

## References

- [Stage Lighting, LED Event Lighting Manufacturer - Betopper](#)

Manuals+.